

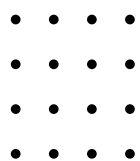


WOLFSON

One-Stop OEM Solution



Wolfson Industries, LLC



*Your manufacturing experts!
You design it, we make it!*

About Us

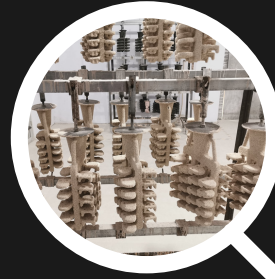


Wolfson Industries, LLC was founded by a group of experienced engineers and production specialists who are dedicated to providing our clients with superior one-stop OEM service.

Our customer service team is excellent in delivering turnkey solutions. We'll handle everything from the raw material to the completed product, including casting, machining, surface treatment, and other processes. Your part is ready to use when it arrives.



Capacities



Casting

Sand Casting (Capacity: 1 to 1,200 lbs)

Materials: Irons, Steels, Stainless Steel, Other Ferrous and Non-Ferrous Alloys

Shell Molding (Capacity: 1 to 450 lbs)

Materials: Irons, Steels, Stainless Steel, Other Ferrous and Non-Ferrous Alloys

Investment Casting (Capacity: 1 to 160 lbs)

Materials: Steels, Stainless Steel, Duplex, Super Duplex, Other Ferrous and Non-Ferrous Alloys

Pressure Die Casting

Materials: Aluminum, Zinc, Copper, Magnesium, Tin-Base Alloy

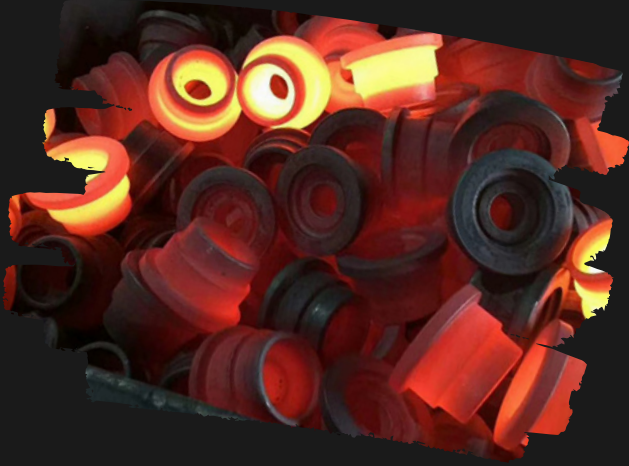
Gravity Die Casting

Materials: Aluminum, Steels, Zinc, Copper, Magnesium, Tin-Base Alloy

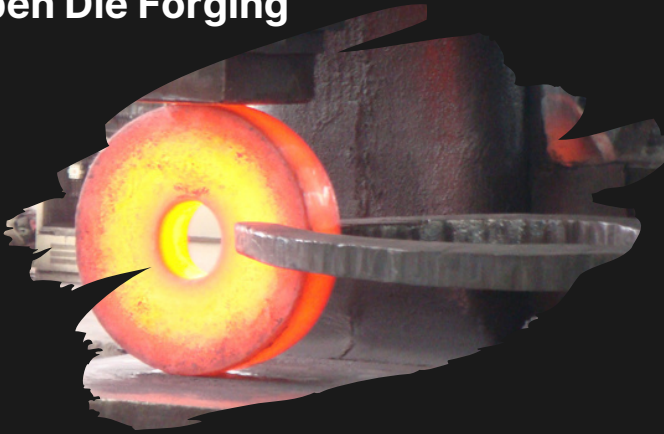
Capacities

Forging

Pressure Die Forging

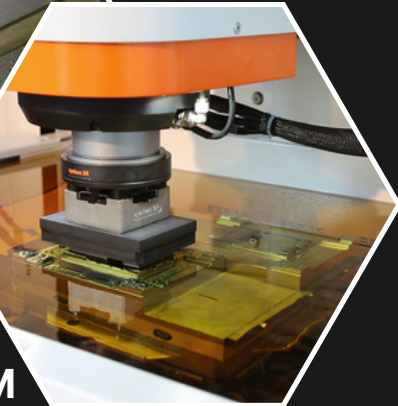
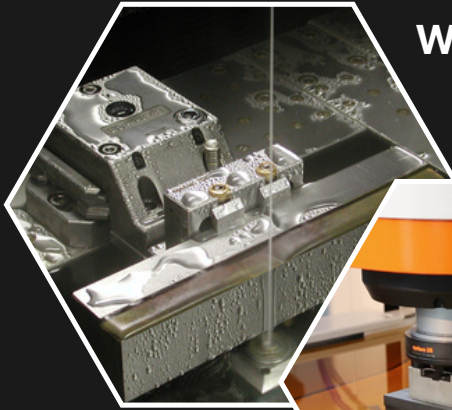


Open Die Forging



EDM

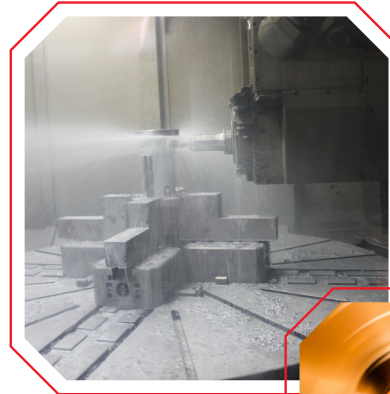
Wire EDM



Plunge/Sinker EDM

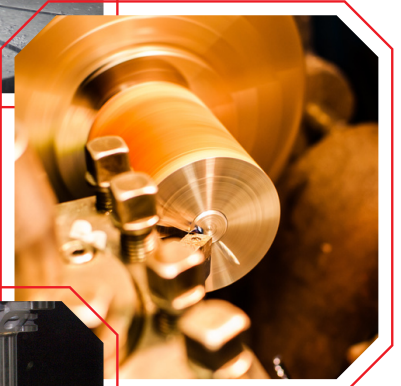
Capacities

Machining

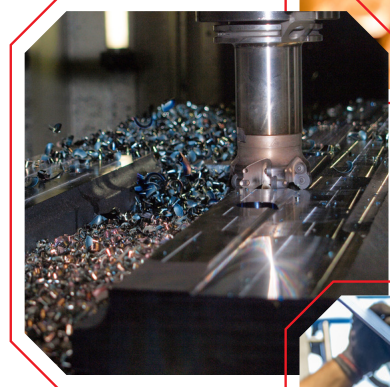


CNC Machining

Turning



Milling



Fabrication



Welding



Capacities

Heat Treatment

Annealing



Quenching



Tempering

Surface Treatment



- **Blackening**

Available Options: Room/Mid/Hot Temperature Black Oxide

- **Anodizing**

Available Options: Type II (Sulfuric), Type III (Hardcoat)

- **Electroplating**

Available Finish: Chrome, Nickel, Zinc, Tin, Brass

- **Electroless Nickel Plating**

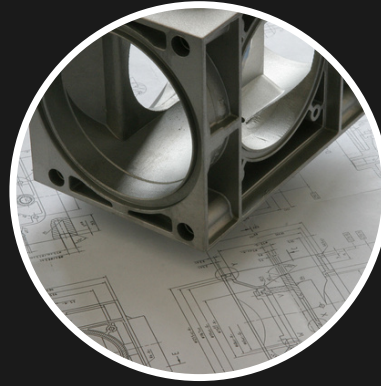
Available Options: ASTM-B733 Types I, IV, V Classes 1, 3, 4, 5

- **Painting**

Available Options: Polyurethane, Epoxy, Alkyd, Zinc-Rich

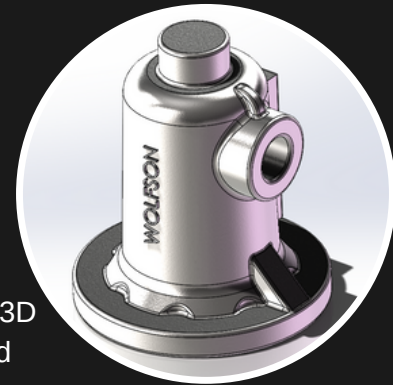
- **Powder Coating**

Engineering Services



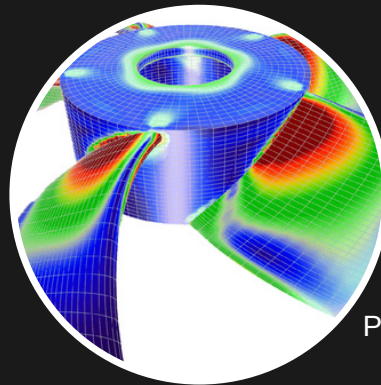
CAD Conversion

Converting your blueprints or PDFs into accurate editable CAD drawings.



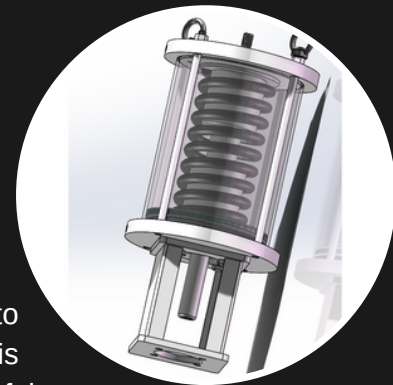
3D Modeling

Converting your 2D draft into 3D model, enjoy unprecedented views and details and make your design more successful.



FEA Analysis

Predict the performance of your design before it's actually produced. Lower cost but better result!



R&D Support

From individual component to finished assembly, Wolfson is willing to help you be successful in any new R&D project.

Quality



Test Equipment

- **Coordinate Measuring Machine (CMMs)**
ZEISS, Keyence
- **Universal Testing Machines**
Tensile Test, Compression Test, Bend Test, Shear Test
- **Hardness Tester**
Rockwell, Brinell, Vickers
- **Impact Tester**
Dart Drop Testing, Pendulum Testing
- **Non-Destructive Testing (NDT)**
X-ray, Ultrasonic, Magnetic Particle, Liquid Penetrant
- **ICP-OES Instruments**



Inspection Report

A detailed inspection report, along with test report, material certificate and other required documents are provided before shipping.

Zero tolerance for defects, major or minor!

Your part is ready to use when it arrives.

Stablized Supply Chain

Weekly Order Status Report



The Wolfson customer service team will send you an open order status report once a week. You'll be alerted of the most recent status of each open order item, and you'll be able to make changes or flag things that need to be expedited. We will do everything we can to accommodate your request.

Kanban Inventory

Our Kanban Inventory service, which will best fit your lean manufacturing demands, is provided by Wolfson to our clients. All Kanban inventory is sealed and labeled in the correct quality and quantity in a specified box, container, or crate.



Installment Shipment

Wolfson would be happy to work up an installment distribution plan with our customer if a reasonably realistic semiannual or annual demand or consumption can be projected. It will considerably increase the reliability of your supply chain while also maintaining a healthy cash flow.





Numbers Speak For Themselves

37

Engineers and Experts

29

Years of Experience

2,000+

Products



Wolfson Industries, LLC.

17350 State Hwy 249,
Houston, Texas, 77064, USA

(281) 372-9480
info@wolfsonusa.com

www.wolfsonusa.com